



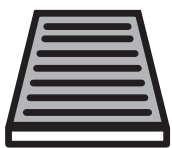
PROTECT

combined with active carbon



715814

FH 932



CA

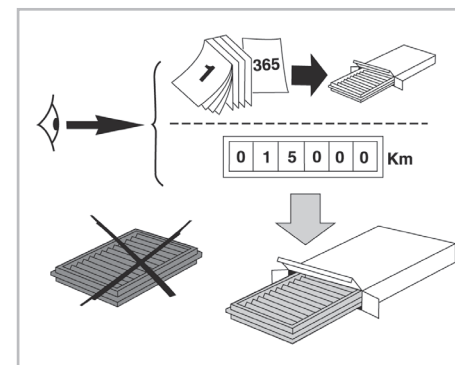
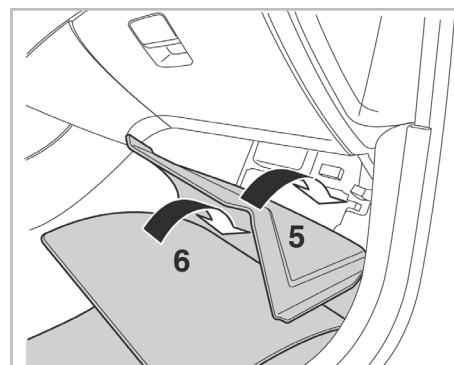
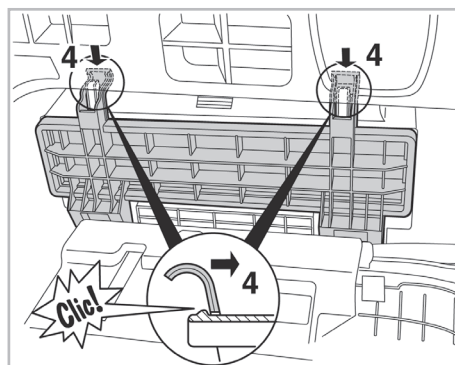
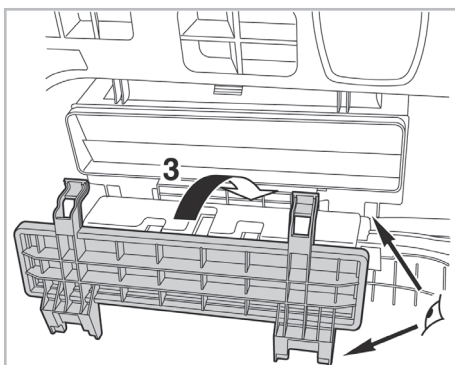
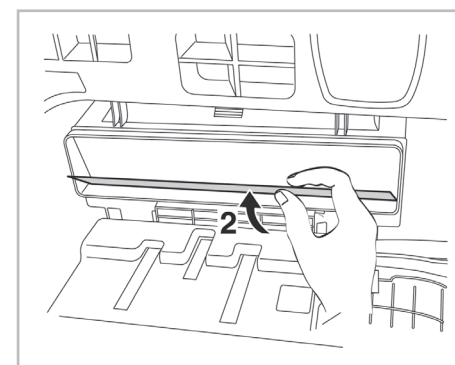
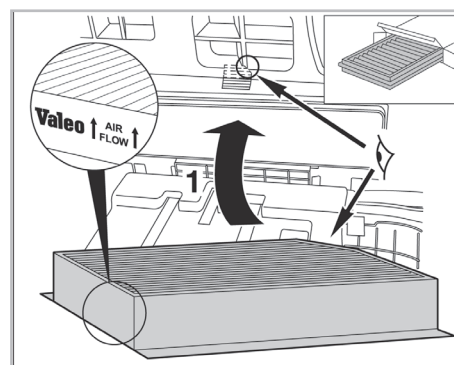
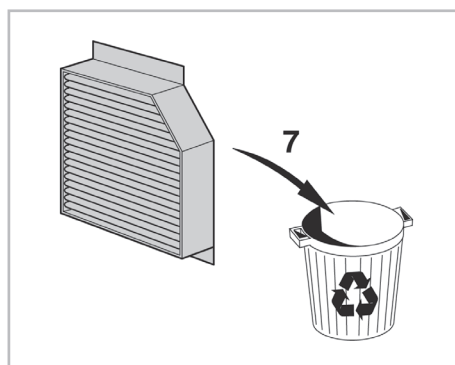
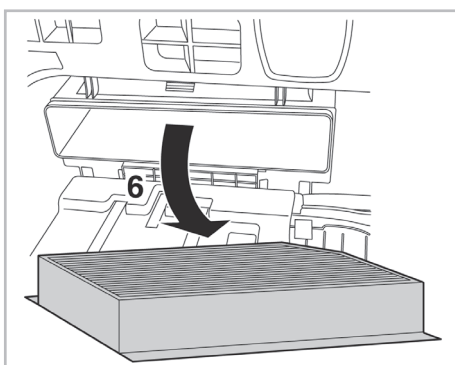
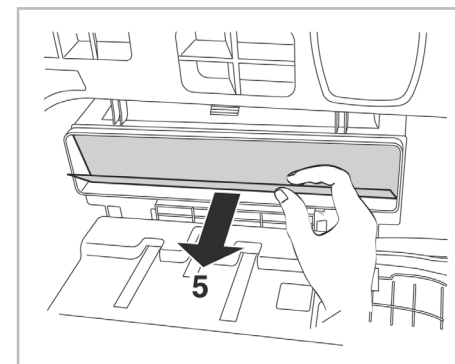
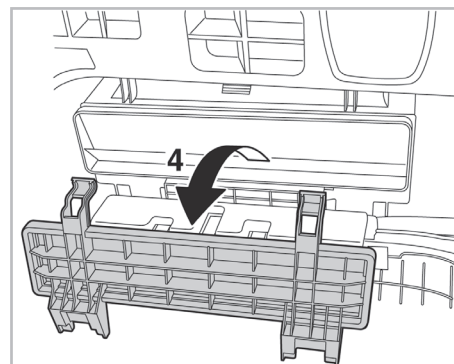
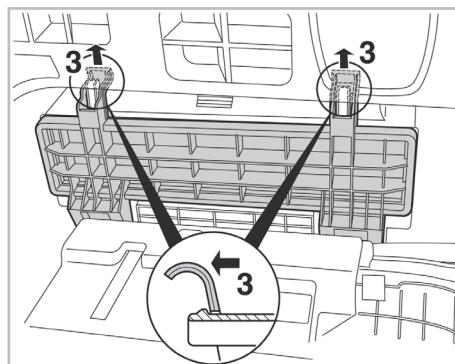
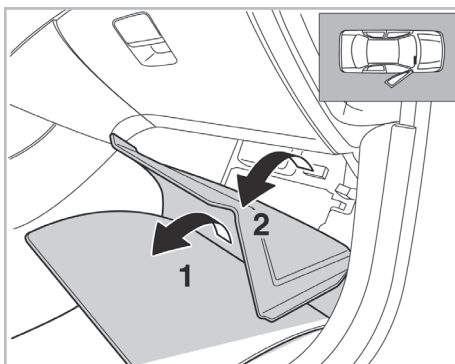
WANT TO KNOW MORE?



www.valeo-techassist.com

FOR  
MERCEDES

A-CLASS (W176) (09/12 >) / B-CLASS (W246) (10/11 >) / CLA (C117) (03/13 >) / GLA (X156) (09/13 >)



Valeo Service - Société par Actions simplifiée - Capital de 12 900 000€ - 70, rue Playel, 93285 Saint-Denis Cedex - France - B 306 486 408 RCS Bobigny